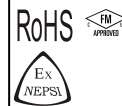


Capacity	Accuracy	Part-Number
250 kg	C3	H8H-C3-250kg-4B
500 kg	C3	H8H-C3-500kg-4B
1 t	C3	H8H-C3-1t-4B
2 t	C3	H8H-C3-2t-4B
5 t	C3	H8H-C3-5t-4B



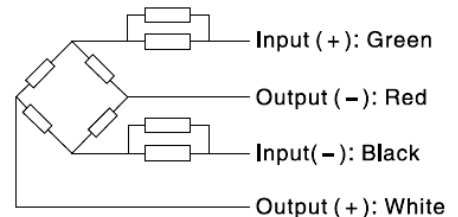
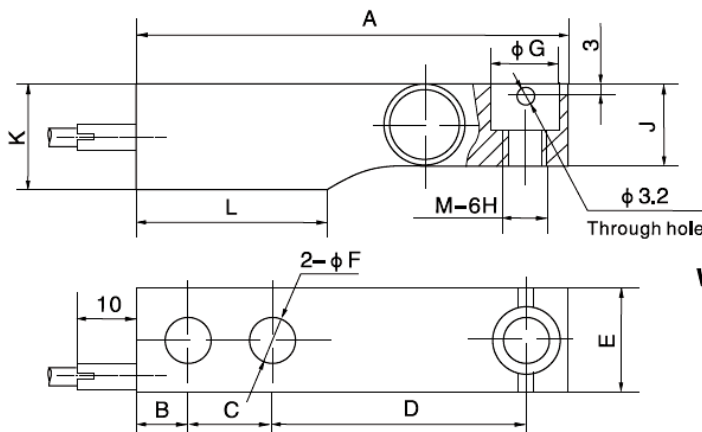
- Alloy steel IP67 shear beam load cell
- Nickel plated
- Suitable for floor scales, hoppers and other weighing devices
- Metric and imperial dimensions



## Specification:

Accuracy class		C3
Output sensitivity (= FS)	mV/V	2.0 ± 0.02
Maximum capacity (E <sub>max</sub> )	t	0.25, 0.5, 1, 2, 5
Maximum number of load cell intervals (n <sub>LC</sub> )		3000
Ratio of minimum LC verification interval Y = E <sub>max</sub> / V <sub>min</sub>		10000
Combined Error	%FS	± 0.020
Safe overload	of E <sub>max</sub>	150 %
Ultimate overload	of E <sub>max</sub>	300 %
Zero balance	of FS	< ± 1.0 %
Excitation, recommended voltage	V	5 ~ 12
Excitation maximum	V	18
Terminal resistance, input	Ω	1000 ± 50
Terminal resistance, output	Ω	1000 ± 10
Insulation impedance	MΩ	≥ 5000 (at 50VDC)
Temperature range, compensated	°C	-10 ~ +40
Temperature range, operating	°C	-35 ~ +65
Element material		Alloy steel
Ingress Protection (according to EN 60529)		IP67
Recommended torque on fixation bolts	Nm	M12: 100 M18: 200

## Outline Dimensions in mm



### Wiring:

- Shielded, 4 conductor cable: Ø5 mm.
- Standard cable length: 4m.
- Cable type and cable length for customer's own application are available on request.
- Shield not connected to element.

Dimension Capacity	A	B	C	D	E	ΦF	ΦG	H	J	K	L	M
5.0t	172 (6.77)	19.1 (0.75)	38.1 (1.5)	95.3 (3.75)	38 (0.81)	20.5 (0.81)	30.2 (1.19)	20 (0.79)	40(1.57)	44 (1.73)	76.2 (3.0)	M20
2.0t	130 (5.12)	15.5 (0.61)	25.4 (1.0)	76.2 (1.25)	31.8 (1.25)	13 (0.51)	20.5 (0.81)	14.2 (0.56)	32(1.26)	31.8(1.5)	57.1 (2.25)	M12
1.0t									28(1.1)			
500kg									26(1.02)			
250kg												